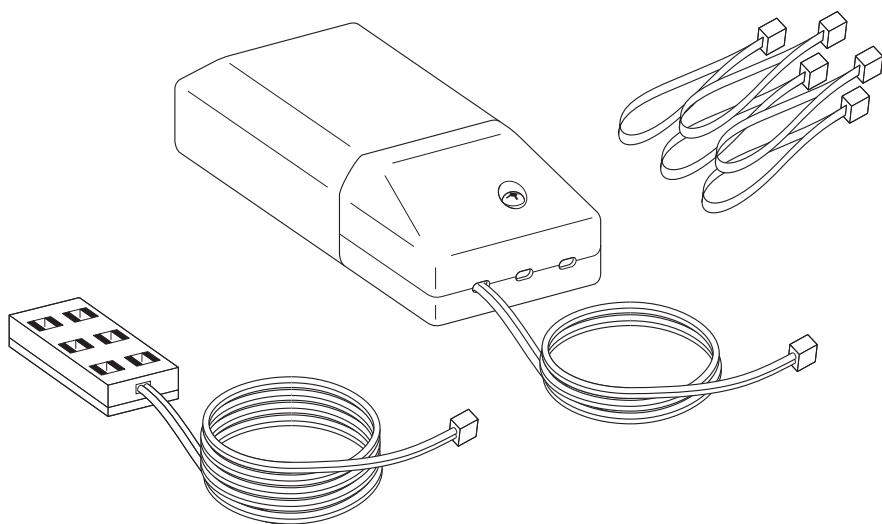


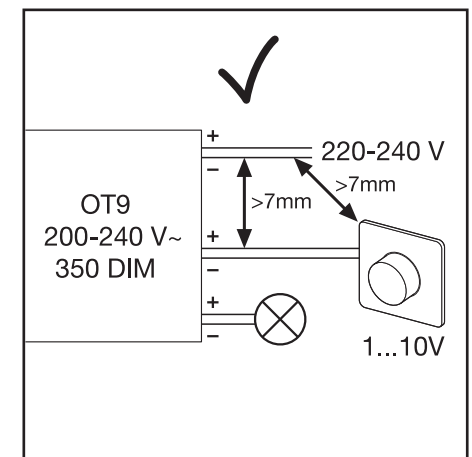
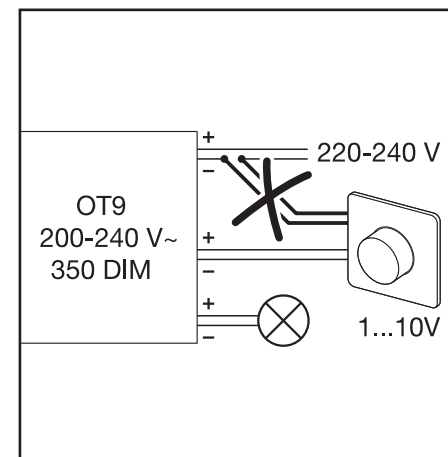
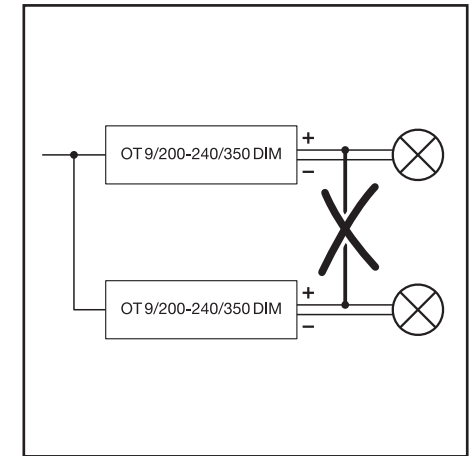
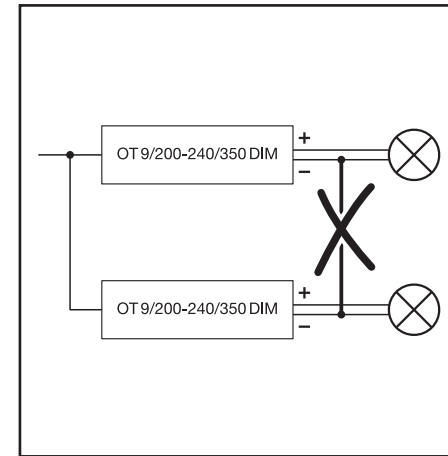
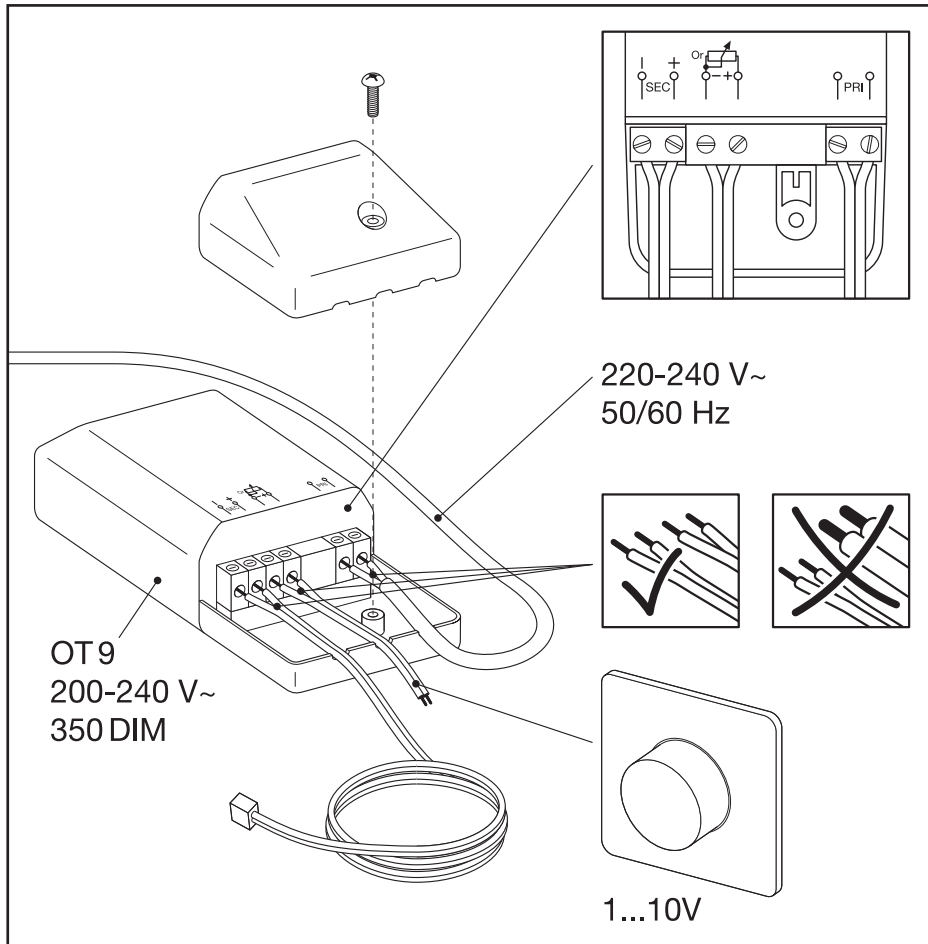
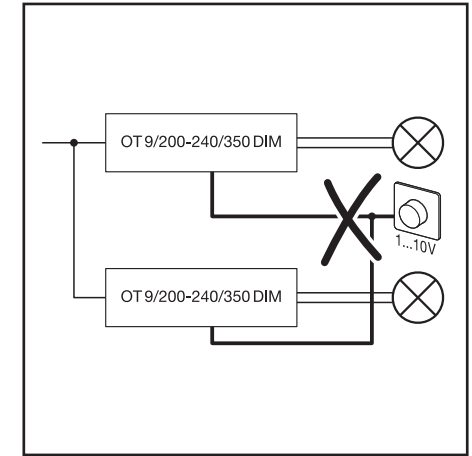
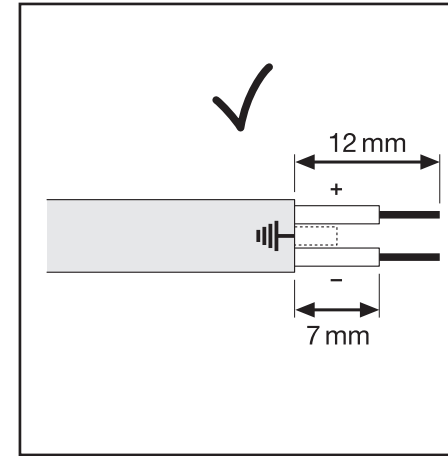
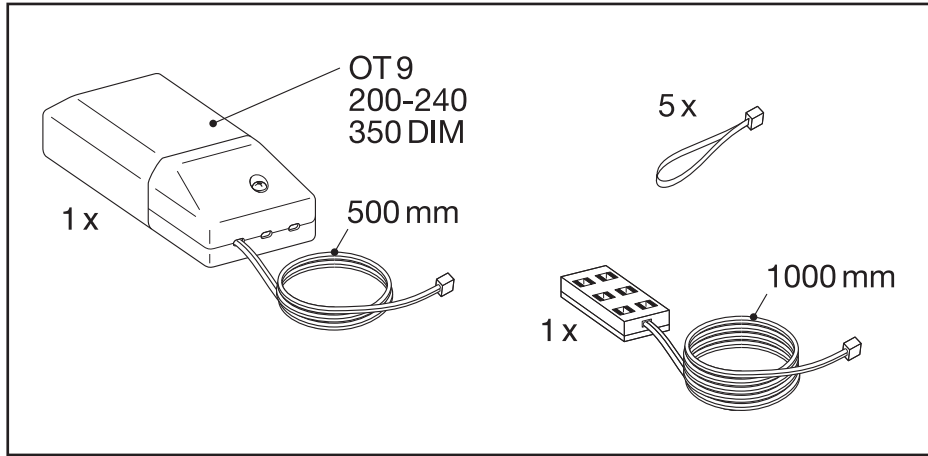


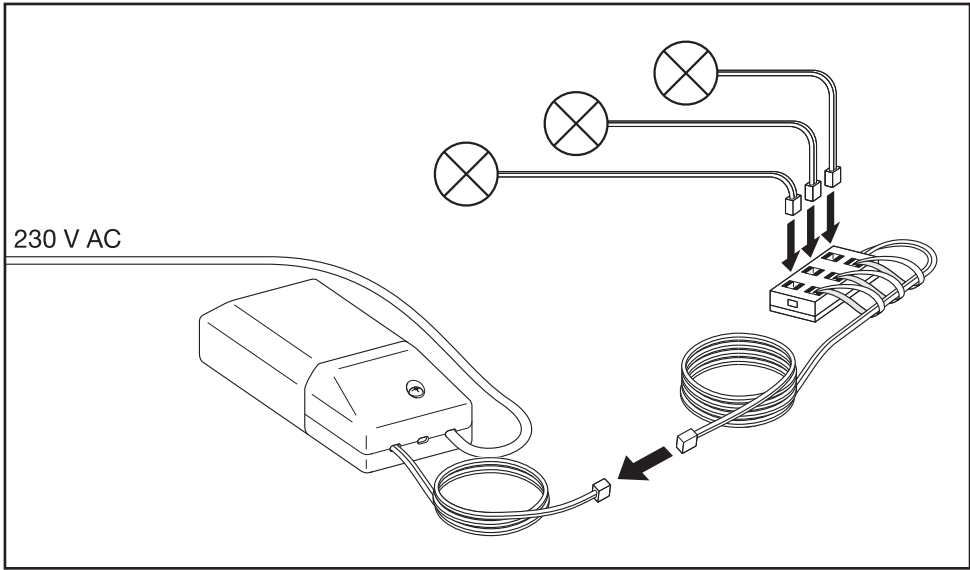
# DRAGONSPOT® CONNECTION KIT



**OSRAM** 







OSRAM GmbH  
 Steinerne Furt 62  
 86167 Augsburg, Germany  
[www.osram.com](http://www.osram.com)

G10241653  
 C10238698

