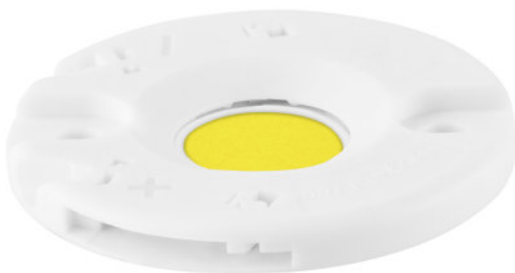


## PrevaLED Core G7 L10 H1

Spot-, Down- and Wallmount Light Engines and Modules



### Areas of application

- Spotlighting in shops and retail
- Down- and wall lighting in offices, corridors, meeting rooms, workplaces
- Decorative and functional lighting in hospitality, hotels, restaurants
- Functional lighting in public and commercial buildings

### Product family benefits

- Easy integration thanks to very compact form factor
- Easy cooling due to optimized efficiency and high maximum operation temperature
- High driver flexibility allows cost-effective and intelligent systems
- 5 year guarantee

### Product family features

- Complete portfolio with varying luminous flux, color temperature, color rendering
- Available with color temperature: 2,700 K, 3,000 K, 3,500 K or 4,000 K
- High module efficacy: up to 156 lm/W at  $T_p = 65^\circ\text{C}$
- Lifetime (L80/B10): 60,000 h (temperature  $p$  at  $T_p = 65^\circ\text{C}$ )
- LED module is basic isolated to mounting surface
- Photobiological safety according to IEC/TR 62778, risk group RG1
- Max. working voltage: 60 V (to be operated only on SELV LED control gear)



## Product family datasheet

### Technical data

#### Electrical data

Product description	Nominal wattage	Rated wattage	Nominal voltage	Nominal current	Type of current
PL-CORE-G7 1000-827 L10 H1 <sup>1)</sup>	7.30 W	7.30 W	35.3 V	0.206 A	DC
PL-CORE-G7 2000-830 L10 H1 <sup>1)</sup>	14.40 W	14.40 W	35.2 V	0.408 A	DC
PL-CORE-G7 1000-940 L10 H1 <sup>1)</sup>	7.80 W	7.80 W	35.6 V	0.219 A	DC
PL-CORE-G7 1000-930 L10 H1 <sup>1)</sup>	8.30 W	8.30 W	35.8 V	0.233 A	DC
PL-CORE-G7 2000-940 L10 H1 <sup>1)</sup>	16.30 W	16.30 W	35.7 V	0.458 A	DC
PL-CORE-G7 2000-935 L10 H1 <sup>1)</sup>	16.70 W	16.70 W	35.8 V	0.468 A	DC
PL-CORE-G7 2000-930 L10 H1 <sup>1)</sup>	17.40 W	17.40 W	35.9 V	0.486 A	DC
PL-CORE-G7 2000-927 L10 H1 <sup>1)</sup>	18.50 W	18.50 W	36.1 V	0.512 A	DC
PL-CORE-G7 2000-840 L10 H1 <sup>1)</sup>	13.60 W	13.60 W	35.1 V	0.387 A	DC
PL-CORE-G7 2000-827 L10 H1 <sup>1)</sup>	15.30 W	15.30 W	35.4 V	0.431 A	DC
PL-CORE-G7 1000-935 L10 H1 <sup>1)</sup>	8.00 W	8.00 W	35.6 V	0.224 A	DC
PL-CORE-G7 1000-927 L10 H1 <sup>1)</sup>	8.80 W	8.80 W	36.0 V	0.245 A	DC
PL-CORE-G7 1000-840 L10 H1 <sup>1)</sup>	6.40 W	6.40 W	34.9 V	0.184 A	DC
PL-CORE-G7 1000-835 L10 H1 <sup>1)</sup>	6.60 W	6.60 W	35.0 V	0.189 A	DC
PL-CORE-G7 1000-830 L10 H1 <sup>1)</sup>	6.80 W	6.80 W	35.1 V	0.195 A	DC
PL-CORE-G7 2000-835 L10 H1 <sup>1)</sup>	13.90 W	13.90 W	35.1 V	0.395 A	DC

<sup>1)</sup> See product remark

#### Photometrical data

Product description	Total useful luminous flux	Luminous efficacy	Standard deviation of color matching
PL-CORE-G7 1000-827 L10 H1 <sup>1)</sup>	1000 lm	138 lm/W	≤3 sdc
PL-CORE-G7 2000-830 L10 H1 <sup>1)</sup>	2000 lm	139 lm/W	≤3 sdc
PL-CORE-G7 1000-940 L10 H1 <sup>1)</sup>	1000 lm	128 lm/W	≤3 sdc
PL-CORE-G7 1000-930 L10 H1 <sup>1)</sup>	1000 lm	120 lm/W	≤3 sdc
PL-CORE-G7 2000-940 L10 H1 <sup>1)</sup>	2000 lm	123 lm/W	≤3 sdc
PL-CORE-G7 2000-935 L10 H1 <sup>1)</sup>	2000 lm	120 lm/W	≤3 sdc
PL-CORE-G7 2000-930 L10 H1 <sup>1)</sup>	2000 lm	115 lm/W	≤3 sdc
PL-CORE-G7 2000-927 L10 H1 <sup>1)</sup>	2000 lm	108 lm/W	≤3 sdc
PL-CORE-G7 2000-840 L10 H1 <sup>1)</sup>	2000 lm	147 lm/W	≤3 sdc
PL-CORE-G7 2000-827 L10 H1 <sup>1)</sup>	2000 lm	131 lm/W	≤3 sdc
PL-CORE-G7 1000-935 L10 H1 <sup>1)</sup>	1000 lm	125 lm/W	≤3 sdc
PL-CORE-G7 1000-927 L10 H1 <sup>1)</sup>	1000 lm	113 lm/W	≤3 sdc
PL-CORE-G7 1000-840 L10 H1 <sup>1)</sup>	1000 lm	156 lm/W	≤3 sdc
PL-CORE-G7 1000-835 L10 H1 <sup>1)</sup>	1000 lm	152 lm/W	≤3 sdc
PL-CORE-G7 1000-830 L10 H1 <sup>1)</sup>	1000 lm	146 lm/W	≤3 sdc
PL-CORE-G7 2000-835 L10 H1 <sup>1)</sup>	2000 lm	144 lm/W	≤3 sdc

<sup>1)</sup> See product remark

## Product family datasheet

### Light technical data

Product description	Rated beam angle (half peak value)	Starting time	Warm-up time (60 %)
PL-CORE-G7 1000-827 L10 H1 <sup>1)</sup>	115.00 °	0.0 s	0.00 s
PL-CORE-G7 2000-830 L10 H1 <sup>1)</sup>	115.00 °	0.0 s	0.00 s
PL-CORE-G7 1000-940 L10 H1 <sup>1)</sup>	115.00 °	0.0 s	0.00 s
PL-CORE-G7 1000-930 L10 H1 <sup>1)</sup>	115.00 °	0.0 s	0.00 s
PL-CORE-G7 2000-940 L10 H1 <sup>1)</sup>	115.00 °	0.0 s	0.00 s
PL-CORE-G7 2000-935 L10 H1 <sup>1)</sup>	115.00 °	0.0 s	0.00 s
PL-CORE-G7 2000-930 L10 H1 <sup>1)</sup>	115.00 °	0.0 s	0.00 s
PL-CORE-G7 2000-927 L10 H1 <sup>1)</sup>	115.00 °	0.0 s	0.00 s
PL-CORE-G7 2000-840 L10 H1 <sup>1)</sup>	115.00 °	0.0 s	0.00 s
PL-CORE-G7 2000-827 L10 H1 <sup>1)</sup>	115.00 °	0.0 s	0.00 s
PL-CORE-G7 1000-935 L10 H1 <sup>1)</sup>	115.00 °	0.0 s	0.00 s
PL-CORE-G7 1000-927 L10 H1 <sup>1)</sup>	115.00 °	0.0 s	0.00 s
PL-CORE-G7 1000-840 L10 H1 <sup>1)</sup>	115.00 °	0.0 s	0.00 s
PL-CORE-G7 1000-835 L10 H1 <sup>1)</sup>	115.00 °	0.0 s	0.00 s
PL-CORE-G7 1000-830 L10 H1 <sup>1)</sup>	115.00 °	0.0 s	0.00 s
PL-CORE-G7 2000-835 L10 H1 <sup>1)</sup>	115.00 °	0.0 s	0.00 s

<sup>1)</sup> See product remark

### Dimensions & weight

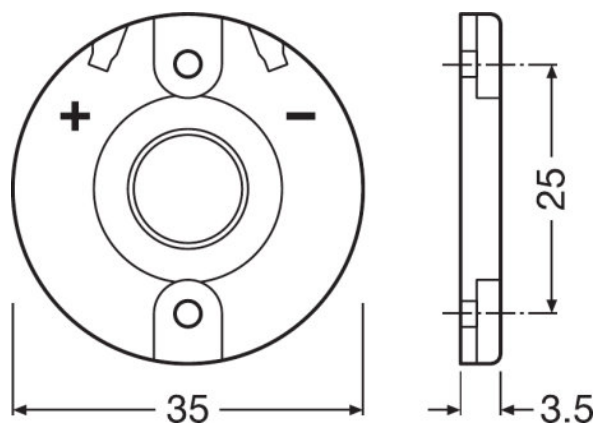
Product description	Rated height	Product weight	Diameter
PL-CORE-G7 1000-827 L10 H1 <sup>1)</sup>	3.50 mm <sup>2)</sup>	3.00 g	35.0 mm
PL-CORE-G7 2000-830 L10 H1 <sup>1)</sup>	3.50 mm <sup>2)</sup>	3.00 g	35.0 mm
PL-CORE-G7 1000-940 L10 H1 <sup>1)</sup>	3.50 mm <sup>2)</sup>	3.00 g	35.0 mm
PL-CORE-G7 1000-930 L10 H1 <sup>1)</sup>	3.50 mm <sup>2)</sup>	3.00 g	35.0 mm
PL-CORE-G7 2000-940 L10 H1 <sup>1)</sup>	3.50 mm <sup>2)</sup>	3.00 g	35.0 mm
PL-CORE-G7 2000-935 L10 H1 <sup>1)</sup>	3.50 mm <sup>2)</sup>	3.00 g	35.0 mm
PL-CORE-G7 2000-930 L10 H1 <sup>1)</sup>	3.50 mm <sup>2)</sup>	3.00 g	35.0 mm
PL-CORE-G7 2000-927 L10 H1 <sup>1)</sup>	3.50 mm <sup>2)</sup>	3.00 g	35.0 mm
PL-CORE-G7 2000-840 L10 H1 <sup>1)</sup>	3.50 mm <sup>2)</sup>	3.00 g	35.0 mm
PL-CORE-G7 2000-827 L10 H1 <sup>1)</sup>	3.50 mm <sup>2)</sup>	3.00 g	35.0 mm
PL-CORE-G7 1000-935 L10 H1 <sup>1)</sup>	3.50 mm <sup>2)</sup>	3.00 g	35.0 mm
PL-CORE-G7 1000-927 L10 H1 <sup>1)</sup>	3.50 mm <sup>2)</sup>	3.00 g	35.0 mm
PL-CORE-G7 1000-840 L10 H1 <sup>1)</sup>	3.50 mm <sup>2)</sup>	3.00 g	35.0 mm
PL-CORE-G7 1000-835 L10 H1 <sup>1)</sup>	3.50 mm <sup>2)</sup>	3.00 g	35.0 mm
PL-CORE-G7 1000-830 L10 H1 <sup>1)</sup>	3.50 mm <sup>2)</sup>	3.00 g	35.0 mm
PL-CORE-G7 2000-835 L10 H1 <sup>1)</sup>	3.50 mm <sup>2)</sup>	3.00 g	35.0 mm

<sup>1)</sup> See product remark

<sup>2)</sup> general tolerances ISO 2768-c

## Product family datasheet

### Product line drawing



PL-CORE-G7 1000-827 L10 H1, PL-CORE-G7 2000-830 L10 H1, PL-CORE-G7 1000-940 L10 H1, PL-CORE-G7 1000-930 L10 H1, PL-CORE-G7 2000-940 L10 H1, PL-CORE-G7 2000-935 L10 H1, PL-CORE-G7 2000-930 L10 H1, PL-CORE-G7 2000-927 L10 H1, PL-CORE-G7 2000-840 L10 H1, PL-CORE-G7 2000-827 L10 H1, PL-CORE-G7 1000-935 L10 H1, PL-CORE-G7 1000-927 L10 H1, PL-CORE-G7 1000-840 L10 H1, PL-CORE-G7 1000-835 L10 H1, PL-CORE-G7 1000-830 L10 H1, PL-CORE-G7 2000-835 L10 H1

### Temperatures & operating conditions

Product description	Performance temp. acc. to IEC 62717	Maximum temperature at tc test point	Ambient temperature range	Temperature range at storage
PL-CORE-G7 1000-827 L10 H1 <sup>1)</sup>	65 °C	100 °C	-20...+50 °C	-20...60 °C
PL-CORE-G7 2000-830 L10 H1 <sup>1)</sup>	65 °C	100 °C	-20...+50 °C	-20...60 °C
PL-CORE-G7 1000-940 L10 H1 <sup>1)</sup>	65 °C	100 °C	-20...+50 °C	-20...60 °C
PL-CORE-G7 1000-930 L10 H1 <sup>1)</sup>	65 °C	100 °C	-20...+50 °C	-20...60 °C
PL-CORE-G7 2000-940 L10 H1 <sup>1)</sup>	65 °C	100 °C	-20...+50 °C	-20...60 °C
PL-CORE-G7 2000-935 L10 H1 <sup>1)</sup>	65 °C	100 °C	-20...+50 °C	-20...60 °C
PL-CORE-G7 2000-930 L10 H1 <sup>1)</sup>	65 °C	100 °C	-20...+50 °C	-20...60 °C
PL-CORE-G7 2000-927 L10 H1 <sup>1)</sup>	65 °C	100 °C	-20...+50 °C	-20...60 °C
PL-CORE-G7 2000-840 L10 H1 <sup>1)</sup>	65 °C	100 °C	-20...+50 °C	-20...60 °C
PL-CORE-G7 2000-827 L10 H1 <sup>1)</sup>	65 °C	100 °C	-20...+50 °C	-20...60 °C
PL-CORE-G7 1000-935 L10 H1 <sup>1)</sup>	65 °C	100 °C	-20...+50 °C	-20...60 °C

## Product family datasheet

Product description	Performance temp. acc. to IEC 62717	Maximum temperature at tc test point	Ambient temperature range	Temperature range at storage
PL-CORE-G7 1000-927 L10 H1 <sup>1)</sup>	65 °C	100 °C	-20...+50 °C	-20...60 °C
PL-CORE-G7 1000-840 L10 H1 <sup>1)</sup>	65 °C	100 °C	-20...+50 °C	-20...60 °C
PL-CORE-G7 1000-835 L10 H1 <sup>1)</sup>	65 °C	100 °C	-20...+50 °C	-20...60 °C
PL-CORE-G7 1000-830 L10 H1 <sup>1)</sup>	65 °C	100 °C	-20...+50 °C	-20...60 °C
PL-CORE-G7 2000-835 L10 H1 <sup>1)</sup>	65 °C	100 °C	-20...+50 °C	-20...60 °C

<sup>1)</sup> See product remark

### Lifespan

Product description	Lumen main. fact. at end of nom. life time	Lifespan	Rated lamp life time	Number of switching cycles
PL-CORE-G7 1000-827 L10 H1 <sup>1)</sup>	0.80	60000 h	60000 h	100000
PL-CORE-G7 2000-830 L10 H1 <sup>1)</sup>	0.80	60000 h	60000 h	100000
PL-CORE-G7 1000-940 L10 H1 <sup>1)</sup>	0.80	60000 h	60000 h	100000
PL-CORE-G7 1000-930 L10 H1 <sup>1)</sup>	0.80	60000 h	60000 h	100000
PL-CORE-G7 2000-940 L10 H1 <sup>1)</sup>	0.80	60000 h	60000 h	100000
PL-CORE-G7 2000-935 L10 H1 <sup>1)</sup>	0.80	60000 h	60000 h	100000
PL-CORE-G7 2000-930 L10 H1 <sup>1)</sup>	0.80	60000 h	60000 h	100000
PL-CORE-G7 2000-927 L10 H1 <sup>1)</sup>	0.80	60000 h	60000 h	100000
PL-CORE-G7 2000-840 L10 H1 <sup>1)</sup>	0.80	60000 h	60000 h	100000
PL-CORE-G7 2000-827 L10 H1 <sup>1)</sup>	0.80	60000 h	60000 h	100000
PL-CORE-G7 1000-935 L10 H1 <sup>1)</sup>	0.80	60000 h	60000 h	100000
PL-CORE-G7 1000-927 L10 H1 <sup>1)</sup>	0.80	60000 h	60000 h	100000
PL-CORE-G7 1000-840 L10 H1 <sup>1)</sup>	0.80	60000 h	60000 h	100000
PL-CORE-G7 1000-835 L10 H1 <sup>1)</sup>	0.80	60000 h	60000 h	100000
PL-CORE-G7 1000-830 L10 H1 <sup>1)</sup>	0.80	60000 h	60000 h	100000
PL-CORE-G7 2000-835 L10 H1 <sup>1)</sup>	0.80	60000 h	60000 h	100000

<sup>1)</sup> See product remark

### Capabilities

Product description	Dimmable
PL-CORE-G7 1000-827 L10 H1 <sup>1)</sup>	Yes
PL-CORE-G7 2000-830 L10 H1 <sup>1)</sup>	Yes
PL-CORE-G7 1000-940 L10 H1 <sup>1)</sup>	Yes
PL-CORE-G7 1000-930 L10 H1 <sup>1)</sup>	Yes
PL-CORE-G7 2000-940 L10 H1 <sup>1)</sup>	Yes
PL-CORE-G7 2000-935 L10 H1 <sup>1)</sup>	Yes
PL-CORE-G7 2000-930 L10 H1 <sup>1)</sup>	Yes
PL-CORE-G7 2000-927 L10 H1 <sup>1)</sup>	Yes
PL-CORE-G7 2000-840 L10 H1 <sup>1)</sup>	Yes
PL-CORE-G7 2000-827 L10 H1 <sup>1)</sup>	Yes
PL-CORE-G7 1000-935 L10 H1 <sup>1)</sup>	Yes

## Product family datasheet

Product description	Dimmable
PL-CORE-G7 1000-927 L10 H1 <sup>1)</sup>	Yes
PL-CORE-G7 1000-840 L10 H1 <sup>1)</sup>	Yes
PL-CORE-G7 1000-835 L10 H1 <sup>1)</sup>	Yes
PL-CORE-G7 1000-830 L10 H1 <sup>1)</sup>	Yes
PL-CORE-G7 2000-835 L10 H1 <sup>1)</sup>	Yes

<sup>1)</sup> See product remark

### Certificates & standards

Product description	Energy consumption	Energy efficiency class	Standards
PL-CORE-G7 1000-827 L10 H1 <sup>1)</sup>	8 kWh/1000h	A++	CE/ENEC
PL-CORE-G7 2000-830 L10 H1 <sup>1)</sup>	15 kWh/1000h	A+	CE/ENEC
PL-CORE-G7 1000-940 L10 H1 <sup>1)</sup>	8 kWh/1000h	A+	CE/ENEC
PL-CORE-G7 1000-930 L10 H1 <sup>1)</sup>	9 kWh/1000h	A+	CE/ENEC
PL-CORE-G7 2000-940 L10 H1 <sup>1)</sup>	17 kWh/1000h	A+	CE/ENEC
PL-CORE-G7 2000-935 L10 H1 <sup>1)</sup>	17 kWh/1000h	A+	CE/ENEC
PL-CORE-G7 2000-930 L10 H1 <sup>1)</sup>	18 kWh/1000h	A+	CE/ENEC
PL-CORE-G7 2000-927 L10 H1 <sup>1)</sup>	19 kWh/1000h	A+	CE/ENEC
PL-CORE-G7 2000-840 L10 H1 <sup>1)</sup>	14 kWh/1000h	A++	CE/ENEC
PL-CORE-G7 2000-827 L10 H1 <sup>1)</sup>	16 kWh/1000h	A+	CE/ENEC
PL-CORE-G7 1000-935 L10 H1 <sup>1)</sup>	8 kWh/1000h	A+	CE/ENEC
PL-CORE-G7 1000-927 L10 H1 <sup>1)</sup>	9 kWh/1000h	A+	CE/ENEC
PL-CORE-G7 1000-840 L10 H1 <sup>1)</sup>	7 kWh/1000h	A++	CE/ENEC
PL-CORE-G7 1000-835 L10 H1 <sup>1)</sup>	7 kWh/1000h	A++	CE/ENEC
PL-CORE-G7 1000-830 L10 H1 <sup>1)</sup>	7 kWh/1000h	A++	CE/ENEC
PL-CORE-G7 2000-835 L10 H1 <sup>1)</sup>	14 kWh/1000h	A++	CE/ENEC

<sup>1)</sup> See product remark

### Logistical data

Product description	Commodity code
PL-CORE-G7 1000-827 L10 H1 <sup>1)</sup>	854140100000
PL-CORE-G7 2000-830 L10 H1 <sup>1)</sup>	854140100000
PL-CORE-G7 1000-940 L10 H1 <sup>1)</sup>	854140100000
PL-CORE-G7 1000-930 L10 H1 <sup>1)</sup>	854140100000
PL-CORE-G7 2000-940 L10 H1 <sup>1)</sup>	854140100000
PL-CORE-G7 2000-935 L10 H1 <sup>1)</sup>	854140100000
PL-CORE-G7 2000-930 L10 H1 <sup>1)</sup>	854140100000
PL-CORE-G7 2000-927 L10 H1 <sup>1)</sup>	854140100000
PL-CORE-G7 2000-840 L10 H1 <sup>1)</sup>	854140100000
PL-CORE-G7 2000-827 L10 H1 <sup>1)</sup>	854140100000
PL-CORE-G7 1000-935 L10 H1 <sup>1)</sup>	854140100000
PL-CORE-G7 1000-927 L10 H1 <sup>1)</sup>	854140100000

## Product family datasheet

Product description	Commodity code
PL-CORE-G7 1000-840 L10 H1 <sup>1)</sup>	854140100000
PL-CORE-G7 1000-835 L10 H1 <sup>1)</sup>	854140100000
PL-CORE-G7 1000-830 L10 H1 <sup>1)</sup>	854140100000
PL-CORE-G7 2000-835 L10 H1 <sup>1)</sup>	854140100000

<sup>1)</sup> See product remark

### Product remark

Modules perfectly matched to OSRAM OPTOTRONIC LED drivers (see relevant table)/For current photometric data and important safety, installation and application information (see [www.osram.com/led-systems](http://www.osram.com/led-systems))/All the technical parameters apply to the entire module. In view of the complex manufacturing process for light emitting diodes, the typical values given above for the technical LED parameters are merely statistical values that do not necessarily correspond to the actual technical parameters of an individual product; individual products may vary from the typical values/Tolerance for optical and electrical data: +/-10%





### Application advice

For more detailed application information and graphics please see product datasheet.

### Sales and Technical Support

Sales and Technical Support [www.osram.com](http://www.osram.com)

### Download Data

File
 Addon Technical Information PrevaLED Core G7 Overview
 Brochures Technical application guide - PrevaLED Core G7 (EN)
 Certificates ENEC Certificate PL CORE G7
 Declarations of conformity Declaration of Conformity PL-CORE-G7

### Logistical Data

Product code	Product description	Packaging unit (Pieces/Unit)	Dimensions (length x width x height)	Volume	Gross weight
4052899533929	PL-CORE-G7 1000-827 L10 H1	Shipping carton box 100	270 mm x 221 mm x 77 mm	4.59 dm <sup>3</sup>	710.00 g

## Product family datasheet

Product code	Product description	Packaging unit (Pieces/Unit)	Dimensions (length x width x height)	Volume	Gross weight
4052899534148	PL-CORE-G7 2000-830 L10 H1	Shipping carton box 100	270 mm x 221 mm x 77 mm	4.59 dm <sup>3</sup>	710.00 g
4052899534100	PL-CORE-G7 1000-940 L10 H1	Shipping carton box 100	270 mm x 221 mm x 77 mm	4.59 dm <sup>3</sup>	710.00 g
4052899534049	PL-CORE-G7 1000-930 L10 H1	Shipping carton box 100	270 mm x 221 mm x 77 mm	4.59 dm <sup>3</sup>	710.00 g
4052899534285	PL-CORE-G7 2000-940 L10 H1	Shipping carton box 100	270 mm x 221 mm x 77 mm	4.59 dm <sup>3</sup>	710.00 g
4052899534261	PL-CORE-G7 2000-935 L10 H1	Shipping carton box 100	270 mm x 221 mm x 77 mm	4.59 dm <sup>3</sup>	710.00 g
4052899534247	PL-CORE-G7 2000-930 L10 H1	Shipping carton box 100	270 mm x 221 mm x 77 mm	4.59 dm <sup>3</sup>	710.00 g
4052899534223	PL-CORE-G7 2000-927 L10 H1	Shipping carton box 100	270 mm x 221 mm x 77 mm	4.59 dm <sup>3</sup>	710.00 g
4052899534209	PL-CORE-G7 2000-840 L10 H1	Shipping carton box 100	270 mm x 221 mm x 77 mm	4.59 dm <sup>3</sup>	710.00 g
4052899534124	PL-CORE-G7 2000-827 L10 H1	Shipping carton box 100	270 mm x 221 mm x 77 mm	4.59 dm <sup>3</sup>	710.00 g
4052899534063	PL-CORE-G7 1000-935 L10 H1	Shipping carton box 100	270 mm x 221 mm x 77 mm	4.59 dm <sup>3</sup>	710.00 g
4052899534001	PL-CORE-G7 1000-927 L10 H1	Shipping carton box 100	270 mm x 221 mm x 77 mm	4.59 dm <sup>3</sup>	710.00 g
4052899533981	PL-CORE-G7 1000-840 L10 H1	Shipping carton box 100	270 mm x 221 mm x 77 mm	4.59 dm <sup>3</sup>	710.00 g
4052899533967	PL-CORE-G7 1000-835 L10 H1	Shipping carton box 100	270 mm x 221 mm x 77 mm	4.59 dm <sup>3</sup>	710.00 g
4052899533943	PL-CORE-G7 1000-830 L10 H1	Shipping carton box 100	270 mm x 221 mm x 77 mm	4.59 dm <sup>3</sup>	710.00 g
4052899534186	PL-CORE-G7 2000-835 L10 H1	Shipping carton box 100	270 mm x 221 mm x 77 mm	4.59 dm <sup>3</sup>	710.00 g

The mentioned product code describes the smallest quantity unit which can be ordered. One shipping unit can contain one or more single products. When placing an order, for the quantity please enter single or multiples of a shipping unit.

### References / Links

For more information on the multi-level guarantee and the terms and conditions of the guarantee visit

▶ [www.osram.com/system-guarantee](http://www.osram.com/system-guarantee)



## Product family datasheet

---

### Disclaimer

Subject to change without notice. Errors and omission excepted. Always make sure to use the most recent release.