

Lightbar VX180-SP SR



Robust and vibration resistant
Ensuring long life



Up to 320 m long beam
Improved far and near field illumination

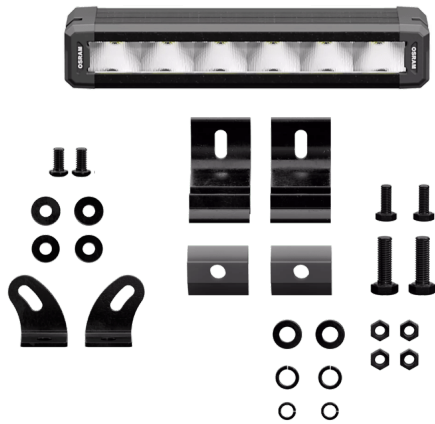


Spot Beam
For particularly focused high beam distribution



IP & IK protection classes
Tested and validated in a DIN-certified environmental simulation laboratory regarding extreme external influences such as water, dust, shocks, impacts, heat, cold, permanent vibrations and many more

Product datasheet



Powerful LED driving lights for off-road and on-road use

Considerable foresight on dark country roads, forest paths, off the beaten tracks, off-road and on-road- this can be achieved with the OSRAM LEDDriving Lightbar VX180-SP SR. With its 6 powerful, high-performance LEDs, the driving light has a range of up to 320 meters and thus offers the driver impressive foresight on-road and off-road. Even in dim light and reduced visibility due to external environmental influences, the driving light with up to 6000 Kelvin can provide conditions similar to daylight. The power package with up to 1400 lumens scores with highest optical efficiency and homogeneous light distribution. The driving light is characterised by its compact single-row design, ensuring a sleek appearance. In addition, the lightbar comes with standard brackets for various mounting options: hanging, standing and side. Versatile applicable, it defies numerous environmental influences and, thanks to high-quality materials such as the aluminum housing and the stable polycarbonate lens, it is particularly light and at the same time robust and resistant. The driving light has been tested and validated with the IP-Protection Classes IP6K8 & IP6K9K in our DIN certified environmental simulation laboratory for extreme external influences regarding water, dust, impacts, heat, cold and permanent vibration. Whether on-road or off-road, the LEDDriving Lightbar VX180-SP SR is an effective and efficient addition to your vehicle and can be attached to cars, trucks, agricultural machinery, commercial vehicles, construction vehicles, caravans, off-road vehicles and quads¹). OSRAM provides a 2-year guarantee²).¹ OSRAM LEDDriving Driving Lights are approved according to ECE regulations and may therefore be installed and operated on public roads. Please note: Special installation regulations apply. In addition to ECE approval of the product, individual special requirements and legislation of the countries must be observed. ²) For precise conditions refer to: www.osram.com/am-guarantee

Product datasheet

Technical data

Product information

| | |
|---|--|
| Application (Category and Product specific) | Driving Light - Additional high beam application |
|---|--|

General Product Information

| | |
|------------------------|----------------|
| Global order reference | LEDDL122-SP SR |
|------------------------|----------------|

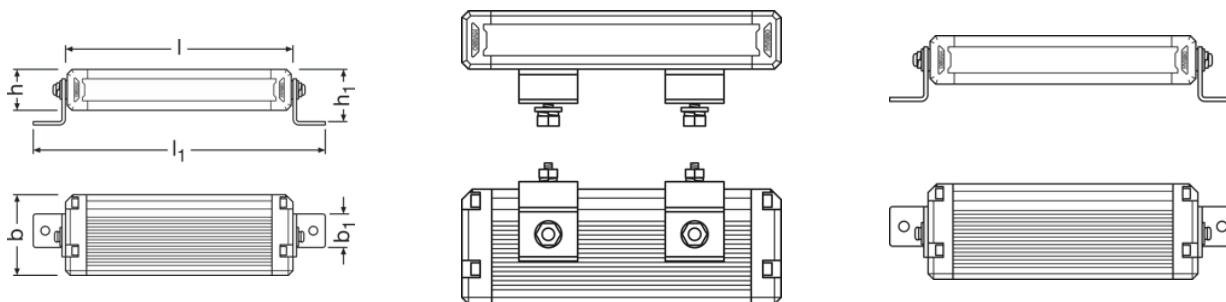
Electrical Data

| | |
|-----------------|--------|
| Nominal wattage | 19 W |
| Test voltage | 13.2 V |

Photometric Data

| | |
|-----------------------|---------|
| Nominal luminous flux | 1400 lm |
| Color temperature | 6000 K |
| Light distance at 1lx | 320 m |

Physical Attributes & Dimensions



| | |
|----------------|----------|
| Product weight | 550.00 g |
| Length | 192.0 mm |
| Width | 67.0 mm |
| Height | 35 mm |

Lifetime Data

| | |
|-------------|-----------|
| Lifespan Tc | > 5000 hr |
| Guarantee | 2 years |

Additional product data

| | |
|-------------------|-----------|
| Connector to lamp | Open wire |
|-------------------|-----------|

Product datasheet

Capabilities

| | |
|------------|-------------------|
| Technology | LED ¹⁾ |
|------------|-------------------|

¹⁾ Light-emitting diode application

Certificates & standards

| | |
|---------------------------|---------------|
| Approval marks – approval | E9 approval |
| Type of protection | IP6K8/IP6K9K |
| Standards | ECE R10, R149 |

Logistical data

| | |
|----------------|-------------|
| Commodity code | 85122000900 |
|----------------|-------------|

Environmental & Regulatory Information

| | |
|---|------------|
| Information according Art. 33 of EU Regulation (EC) 1907/2006 (REACH) | |
| Date of declaration | 21-10-2024 |
| Declaration no. in SCIP database | In work |

Logistical Data

| Product code | Product description | Packaging unit (Pieces/Unit) | Dimensions (length x width x height) | Volume | Gross weight |
|---------------|-------------------------------------|------------------------------|--------------------------------------|-----------------------|--------------|
| 4062172365260 | Lightbar VX180-SP SR LEDDL122-SP SR | Folding carton box 1 | 284 mm x 110 mm x 123 mm | 3.84 dm ³ | 711.00 g |
| 4062172365277 | Lightbar VX180-SP SR LEDDL122-SP SR | Shipping carton box 8 | 481 mm x 302 mm x 274 mm | 39.80 dm ³ | 6377.00 g |

The mentioned product code describes the smallest quantity unit which can be ordered. One shipping unit can contain one or more single products. When placing an order, for the quantity please enter single or multiples of a shipping unit.

Safety advice

For detailed application information, please refer to the product data sheet and the user instruction

Legal advice

1) OSRAM LEDriving Driving Lights are approved according to ECE regulations and may therefore be installed and operated on public roads. Please note: Special installation regulations apply. In addition to ECE approval of the product, individual special requirements and legislation of the countries must be observed.2) For precise conditions refer to: www.osram.com/am-guarantee

Application advice

For more detailed application information and graphics please see product datasheet.

Disclaimer

Subject to change without notice. Errors and omission excepted. Always make sure to use the most recent release.

